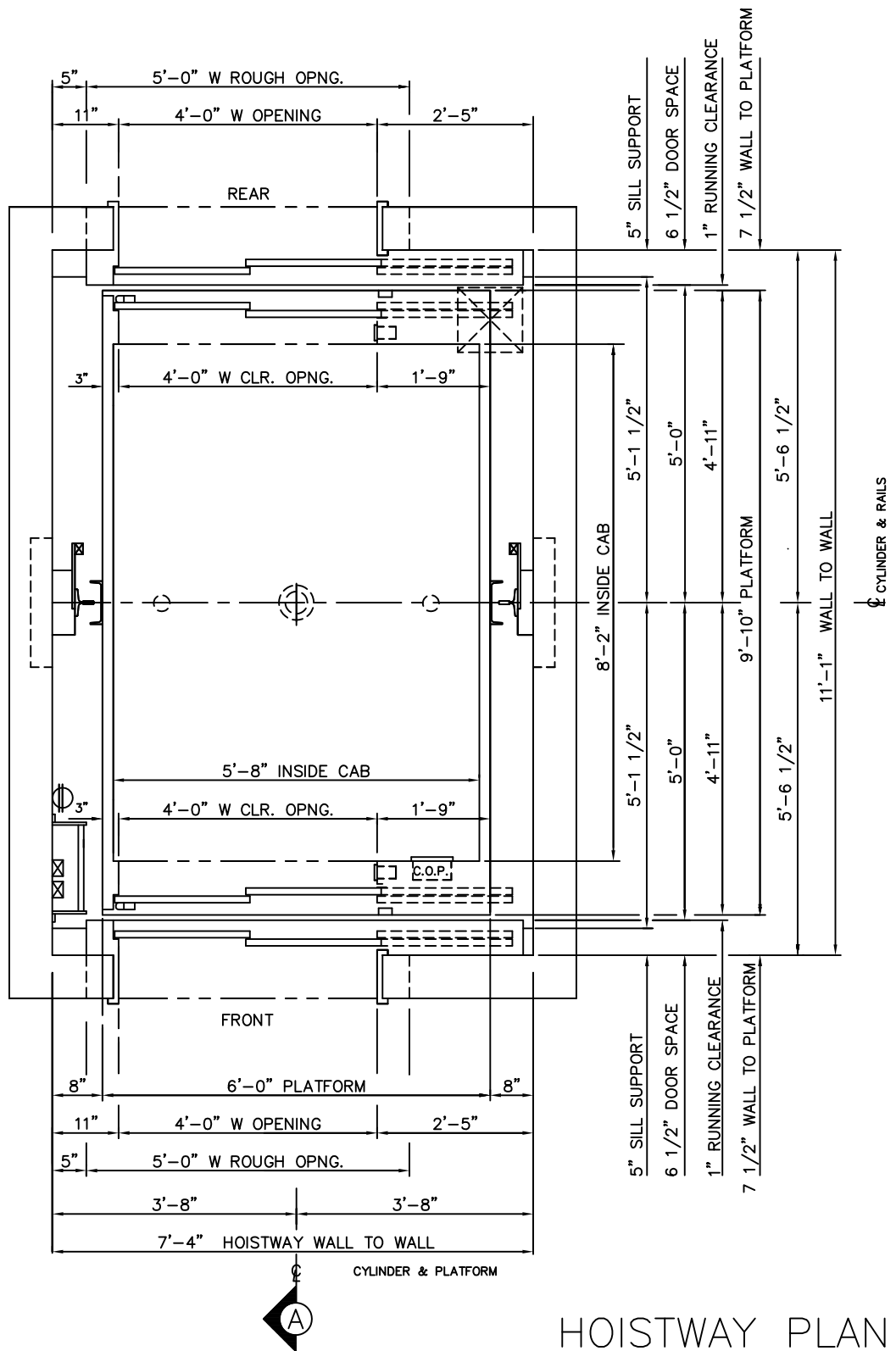


4500 LBS. IN-GROUND HYDRAULIC
FRONT & REAR LEFT-HAND OPENING



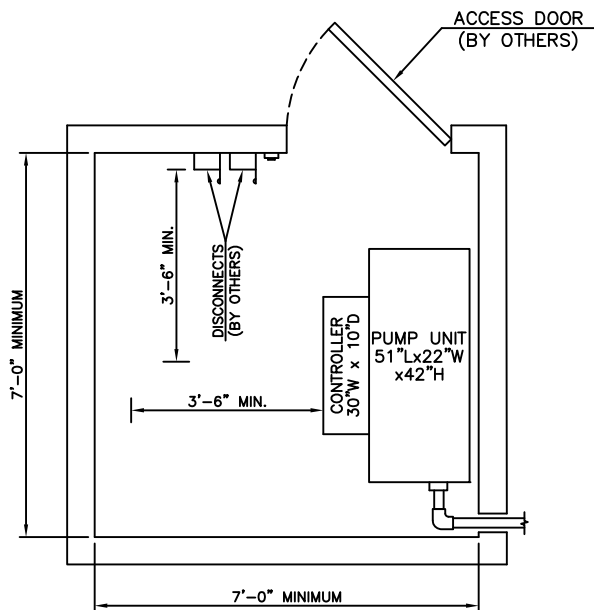
HOISTWAY PLAN

ALLIANCE
ELEVATOR SOLUTIONS

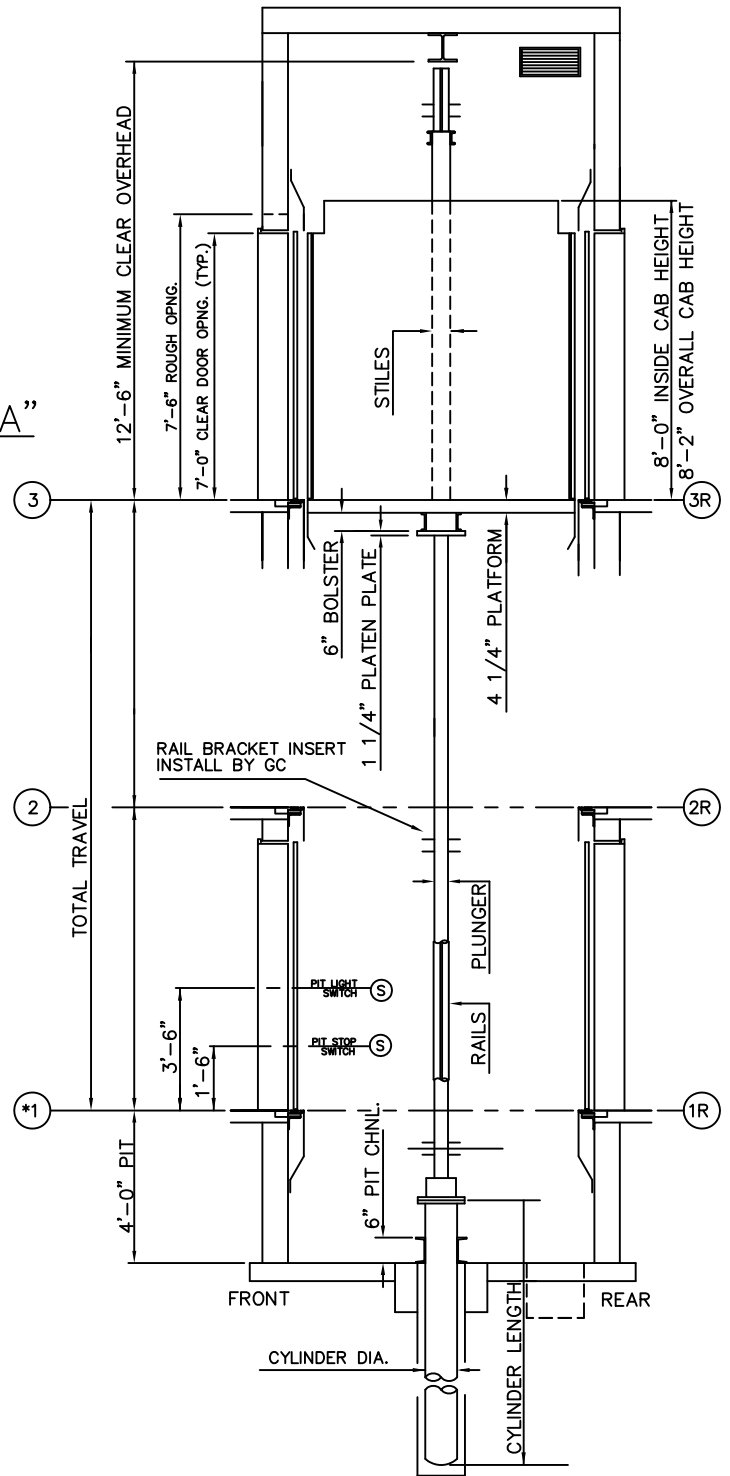
237 OREGON ST, MERCERSBURG, PA 17236

4500 LBS. IN-GROUND HYDRAULIC FRONT & REAR OPENING

SECTION "A"



MACHINE ROOM DETAIL



ALLIANCE
ELEVATOR SOLUTIONS

237 OREGON ST, MERCERSBURG, PA 17236