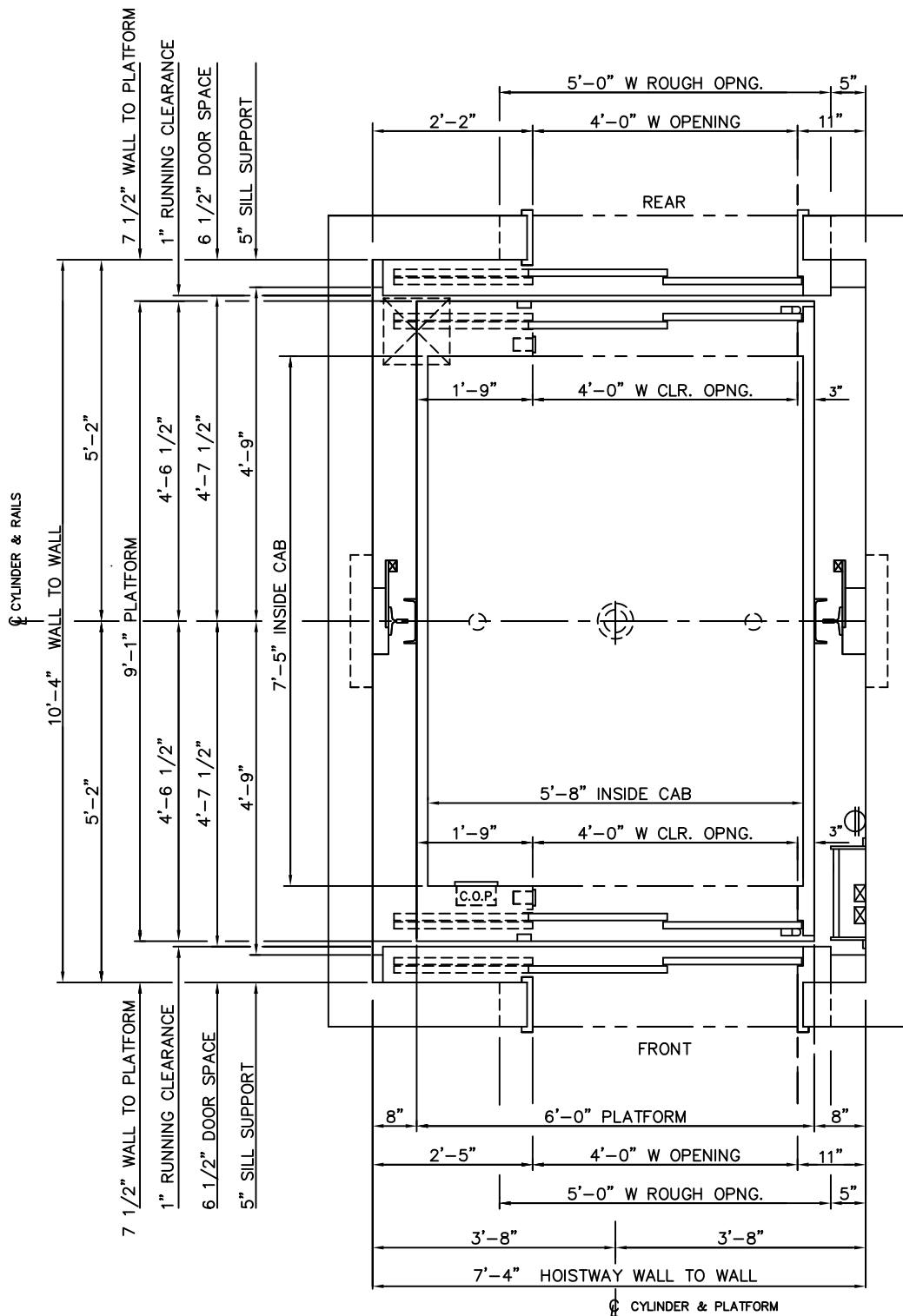


4000 LBS. IN-GROUND HYDRAULIC  
FRONT & REAR RIGHT-HAND OPENING



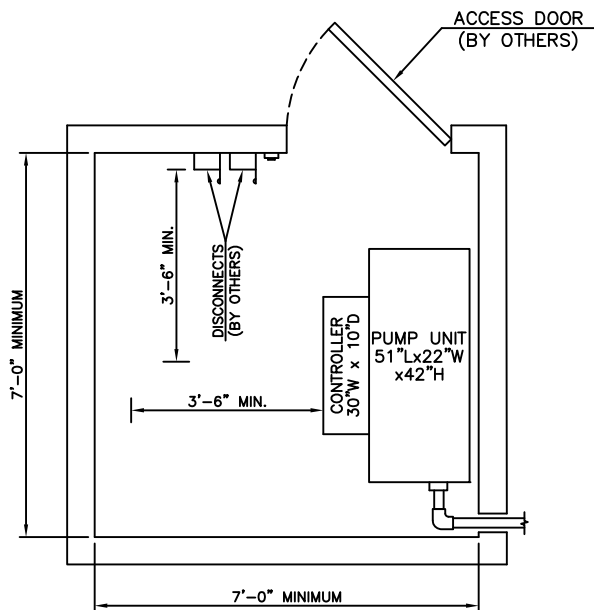
HOISTWAY PLAN

**ALLIANCE**  
ELEVATOR SOLUTIONS

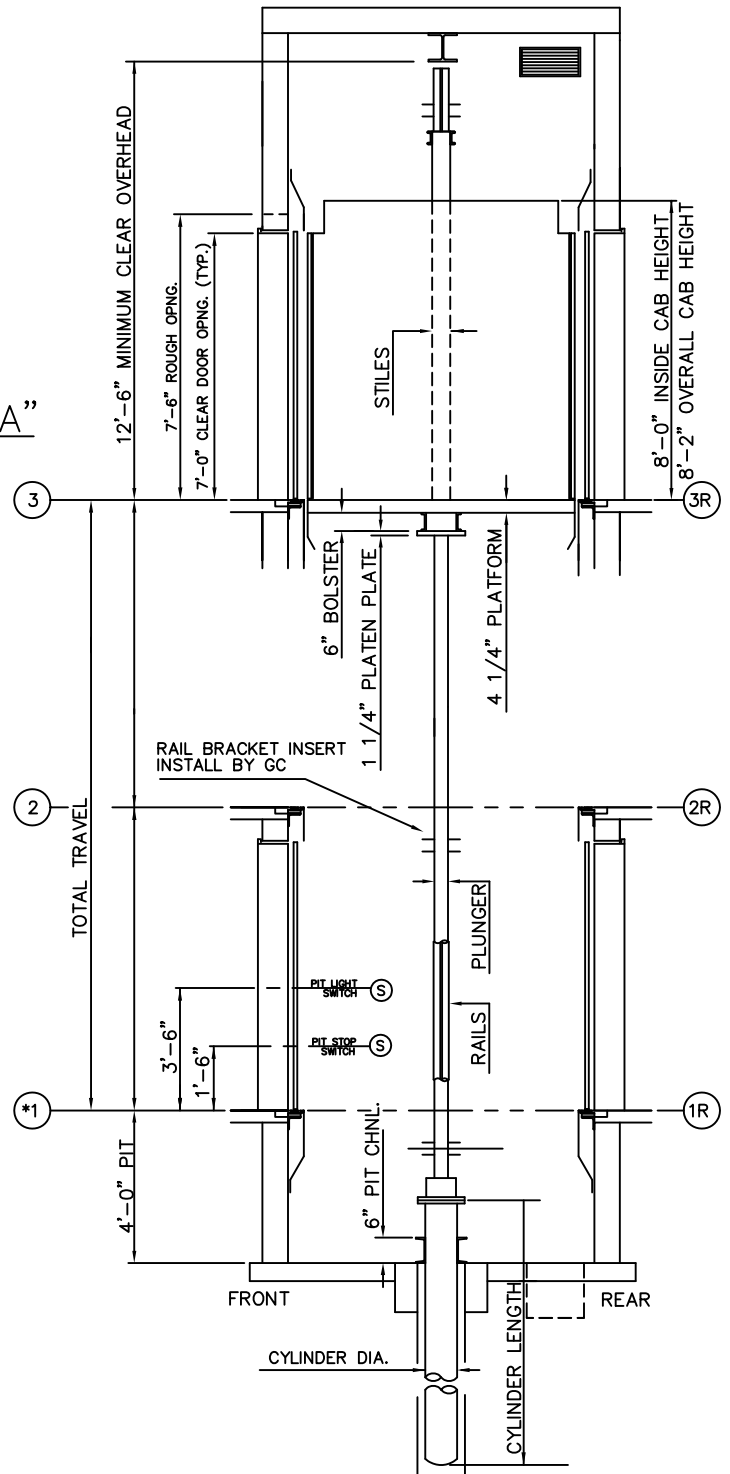
237 OREGON ST, MERCERSBURG, PA 17236

# 4000 LBS. IN-GROUND HYDRAULIC FRONT & REAR OPENING

## SECTION "A"



MACHINE ROOM DETAIL



**ALLIANCE**  
ELEVATOR SOLUTIONS

237 OREGON ST, MERCERSBURG, PA 17236