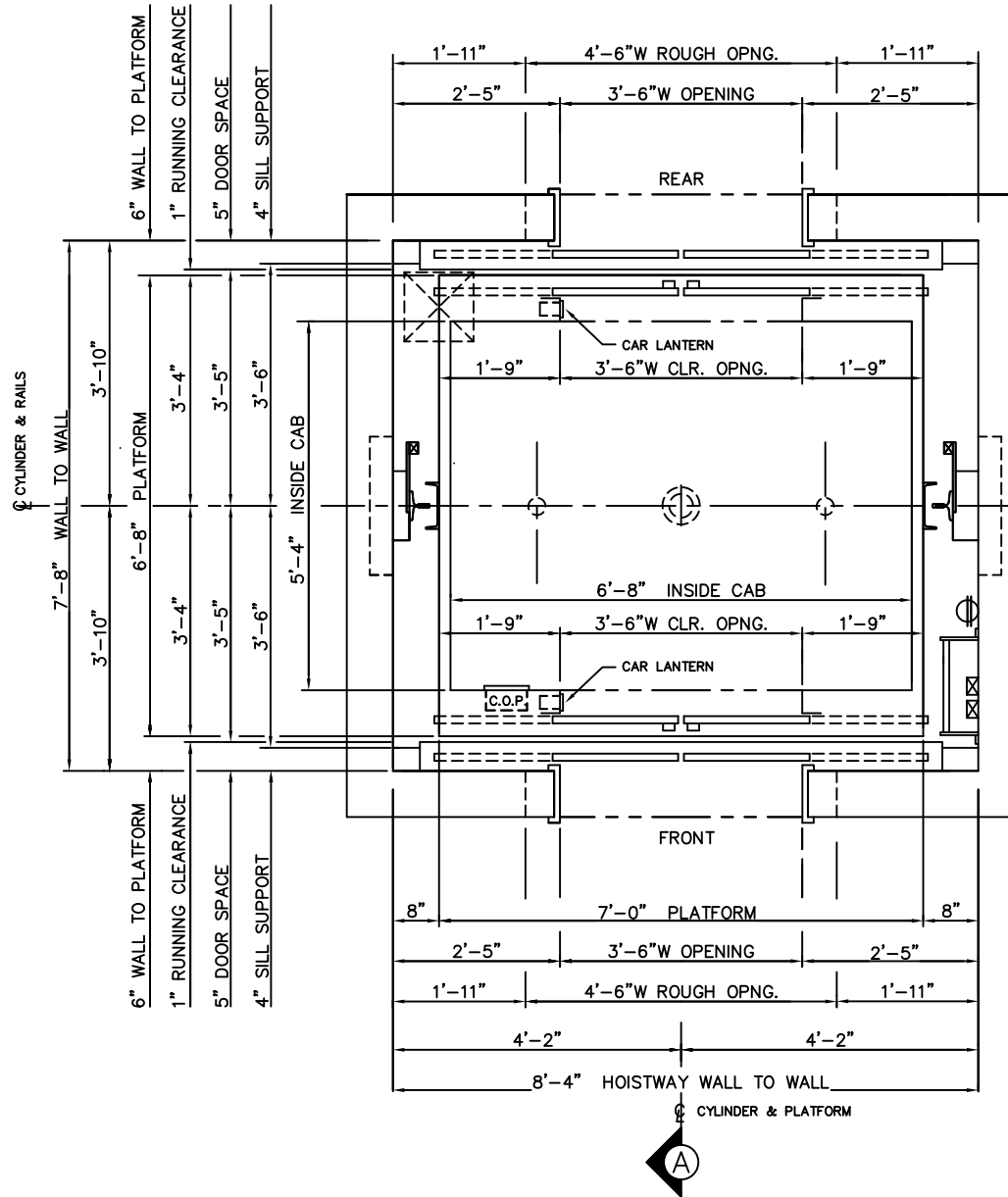
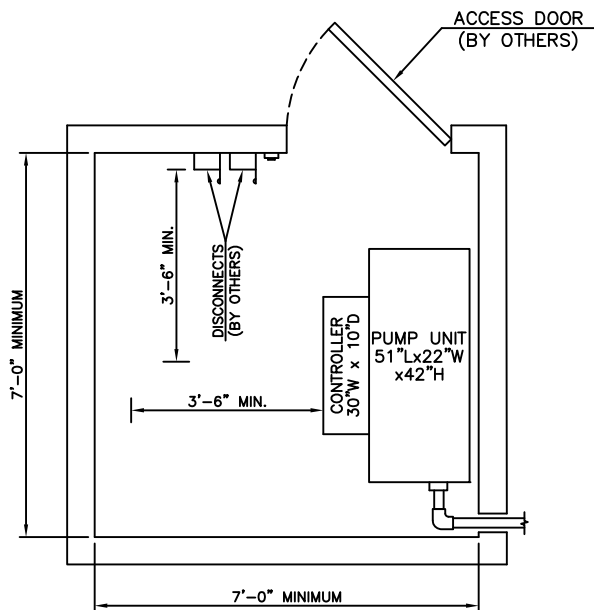


3500 LBS. IN-GROUND HYDRAULIC
FRONT & REAR CENTER OPENING

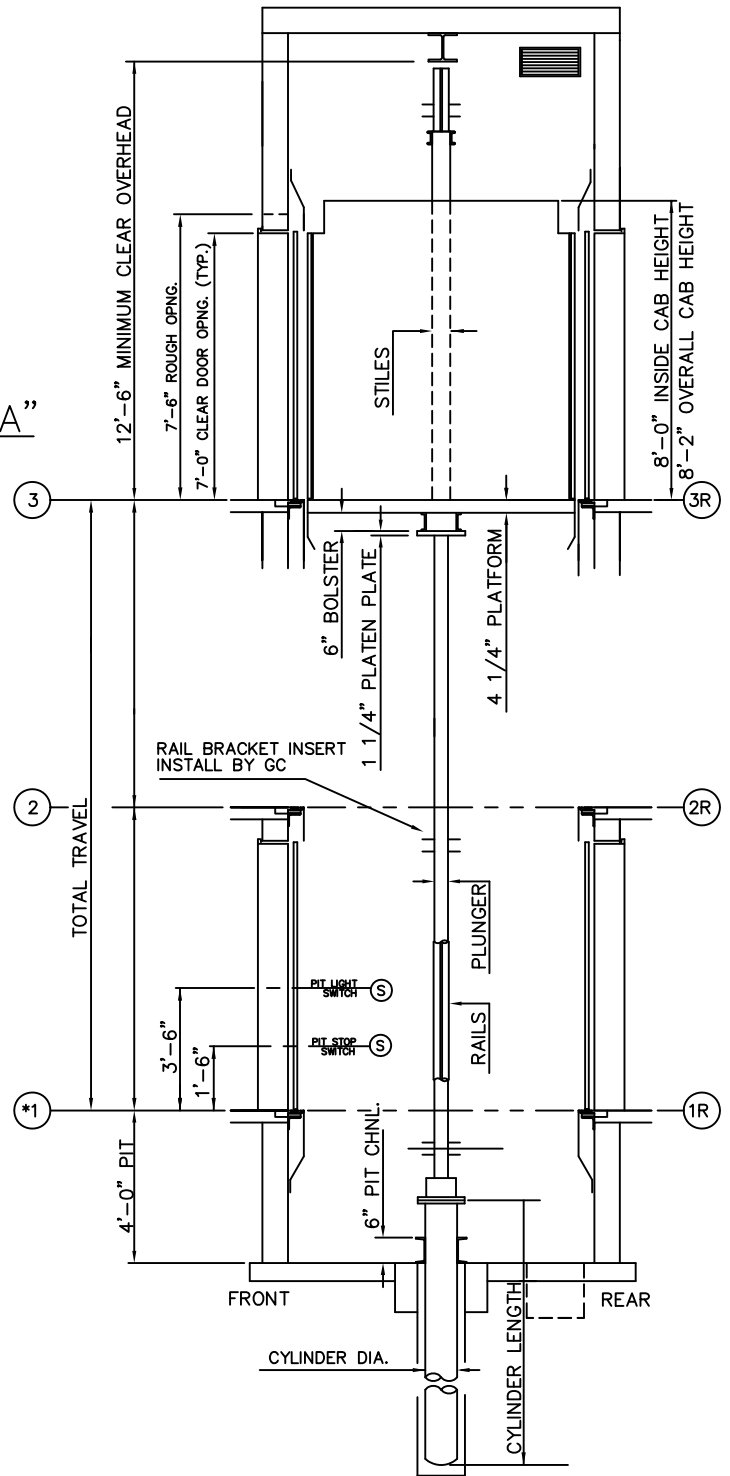


3500 LBS. IN-GROUND HYDRAULIC FRONT & REAR OPENING

SECTION "A"



MACHINE ROOM DETAIL



ALLIANCE
ELEVATOR SOLUTIONS

237 OREGON ST, MERCERSBURG, PA 17236