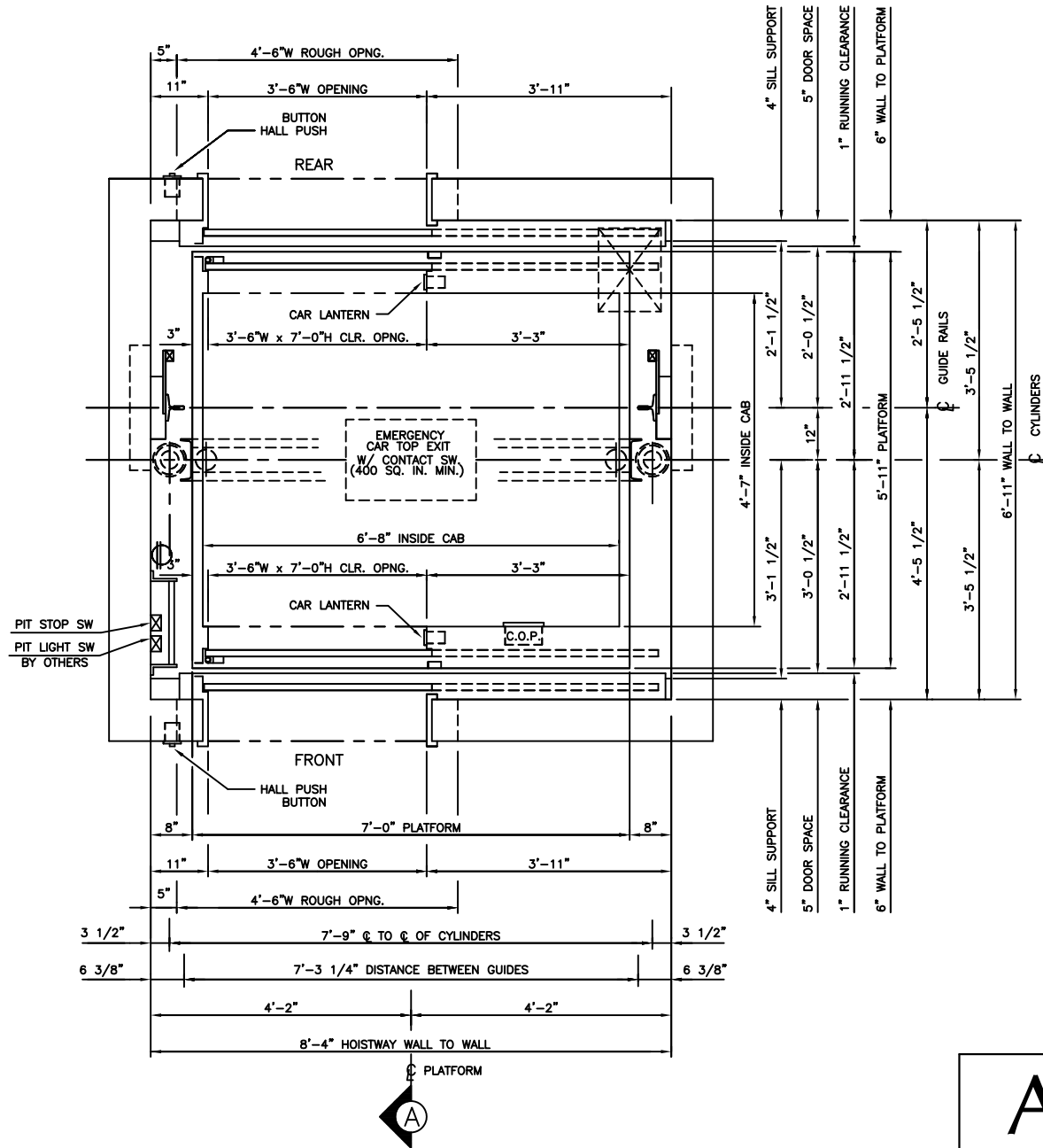


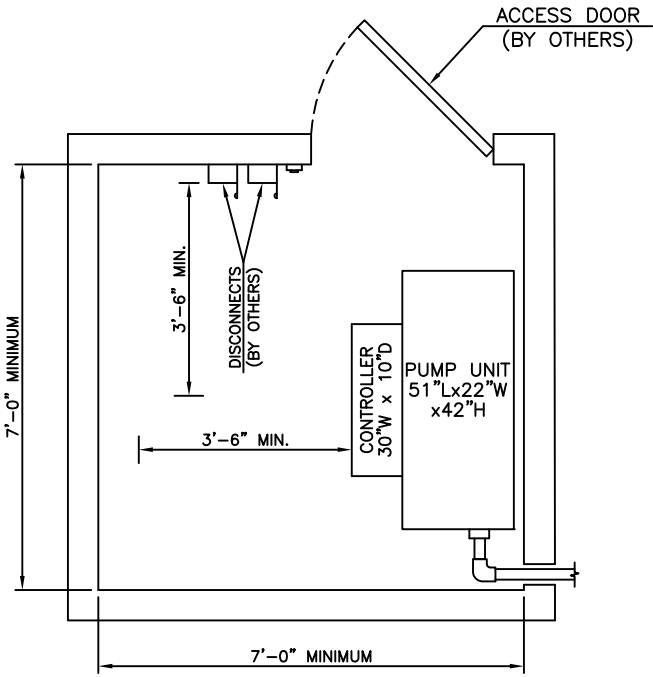
3000 LBS. 2-STAGE HOLELESS HYDRAULIC
FRONT & REAR LEFT-HAND OPENING



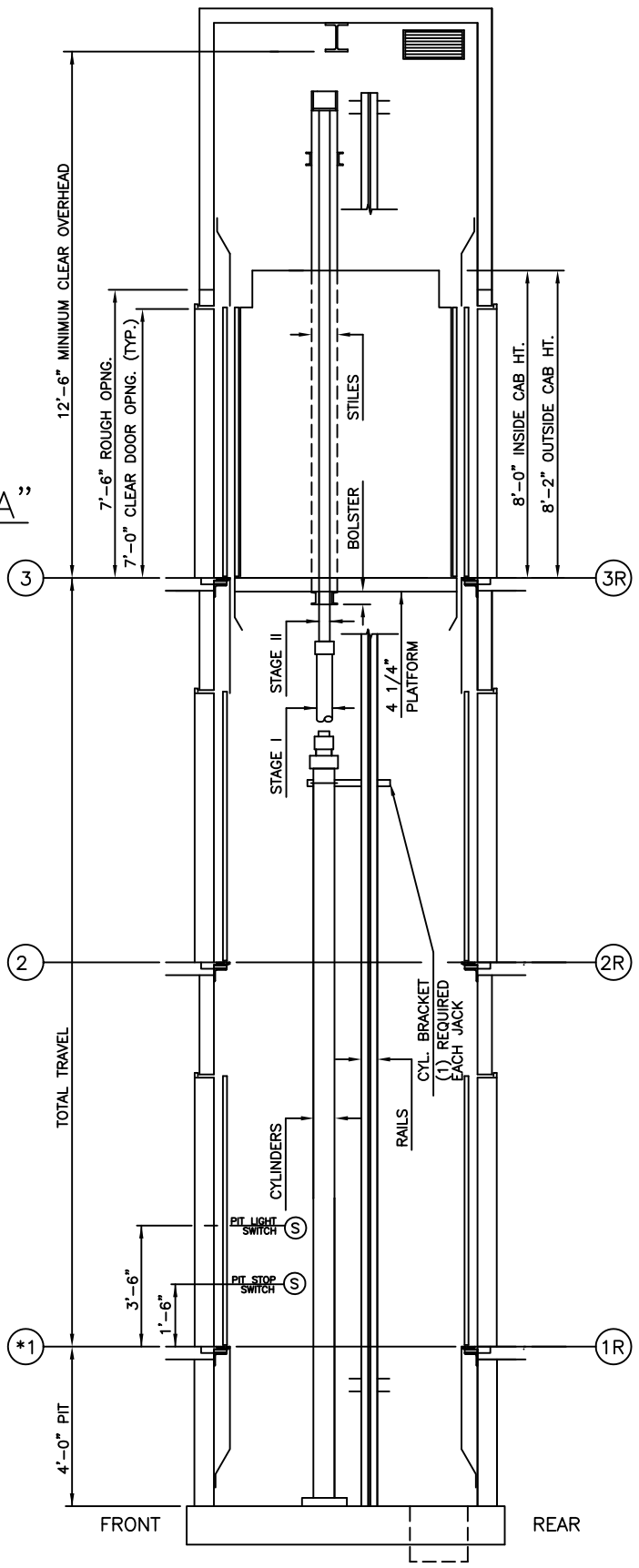
HOISTWAY PLAN

3000 LBS. 2-STAGE HOLELESS HYDRAULIC
FRONT & REAR OPENING

SECTION "A"
 SCALE: N.T.S.



MACHINE ROOM DETAIL



ALLIANCE
 ELEVATOR SOLUTIONS

237 OREGON ST, MERCERSBURG, PA 17236