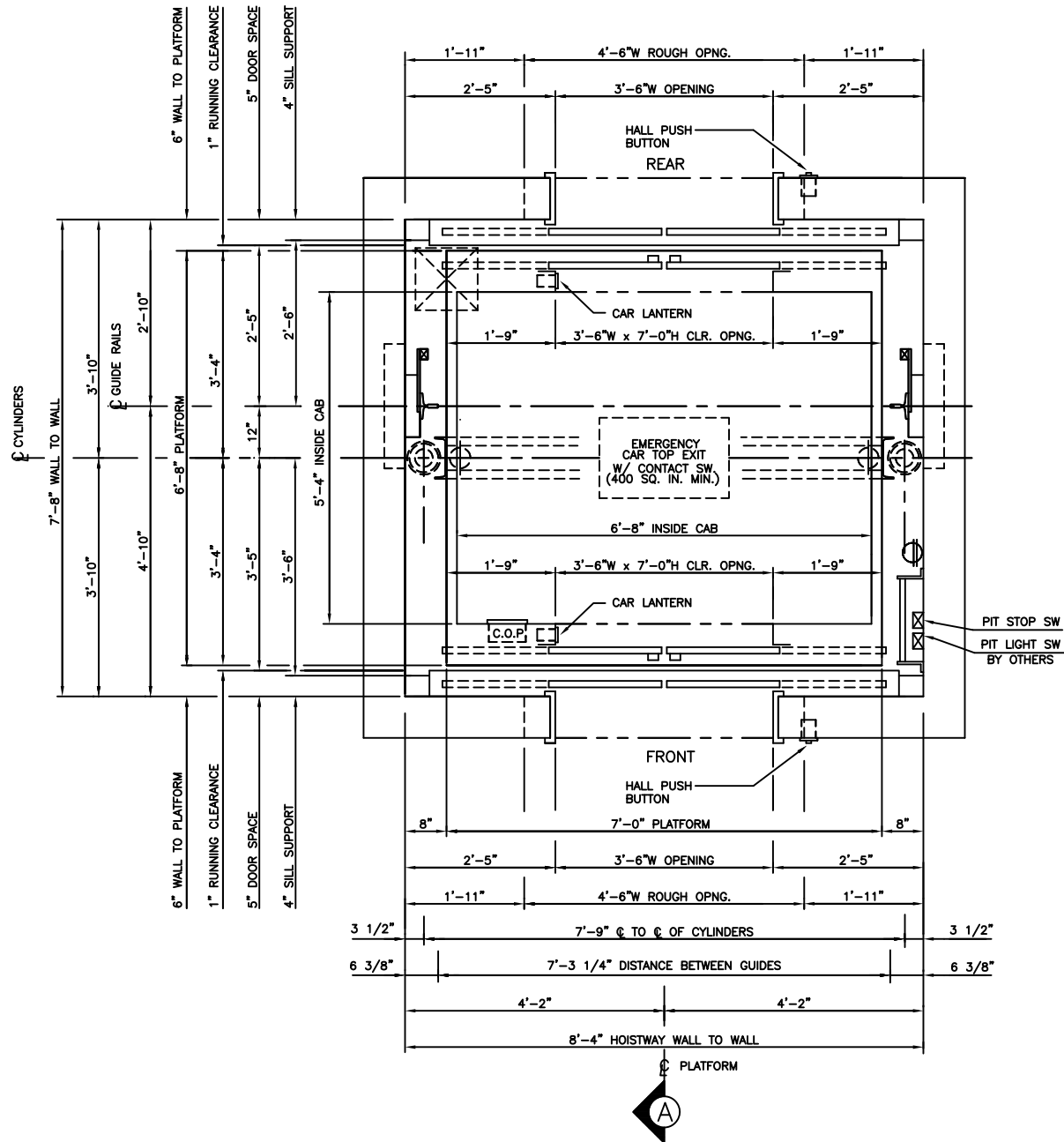


3500 LBS. HOLELESS HYDRAULIC
FRONT & REAR CENTER OPENING



HOISTWAY PLAN

